

S-7300A *DigiFlex Feed*

Single Needle Direct Drive Lock Stitcher with Electronic Feeding System,
Thread Trimmer and presser foot lifter, with thread holder

The world's first lock stitch sewing machine which adopts the Electronic Feed Control directly connected with a stepping motor.

Next-generation lock stitch machine, which establishes the new standard, has been born.

- High quality sewing
- Equipped the color LCD touch panel for intuitive operation
- Offers a new value with Design Stitch
- Enhances the operability with new Hand Switch



NEXIO

Brother Continues to Drive a New Era of Product Excellence and Industry Change

Since its inception in 1908, Brother has been at the forefront of product innovation, dedicated to delivering superior and innovative sewing technology to our customers.

While these innovative changes have now become the industry standard, our never-ending spirit of challenge and innovation inherited from our ancestors have helped us surmount many challenges in the marketplace and continue striving for product excellence.

It is with this spirit of pride and dedication that we introduce our new line of NEXIO industrial sewing machines.

This new line of NEXIO is for IoT era of industrial sewing machines with network connectivity that will set a new design standard in the industry.

This new brand name is derived from the words “Next” and “Society,” combining our vision to drive a new era of industry change with continual dedication to innovative product development, as well as our continued company commitment to forging strong customer relationships by being “At your side.”

Driving a New Era of Sewing Technology

The world's first lock stitch sewing machine which adopts the DigiFlex Feed directly connected with a stepping motor.

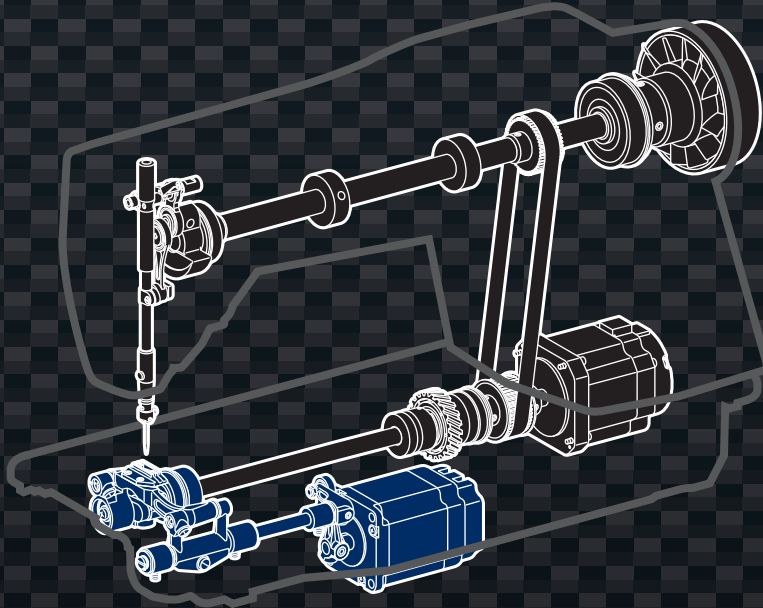
Next-generation lock stitch machine, which establishes the new standard, has been realized.



- 1 World's first DigiFlex Feed Control directly connected with a stepping motor

DigiFlex Feed

*DigiFlex Feed is the Electronic Feed Control System



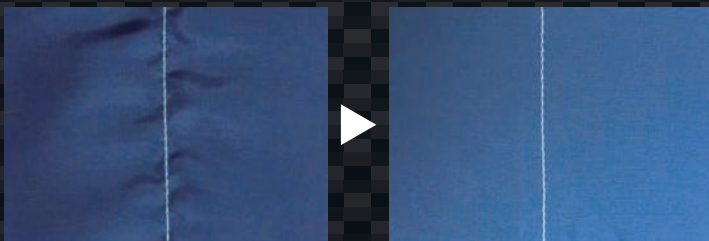
Horizontal feeding system is world's first computerized for single needle lock stitch sewing machine. The feed motion can be changed with one touch of a button to provide best sewing quality for various materials. Furthermore, the sewing stitch length can be digitalized, stabilizing the stitches. (Patent applied)

	Feed motion image	Features
Standard Oval feed		The most common mechanical feed motion
DigiFlex Feed NEW No.1 Front rise feed		Improved thread tightening / prevent ply shrinkage
DigiFlex Feed NEW No.2 Back rise feed		Fewer needle breakages Reduced thread tightening / puckering
DigiFlex Feed NEW No.3 Rectangular feed		Improved feeding Fewer needle breakages than No. 2 (effective for cross-over seam/ heavy materials)



Benefit of DigiFlex Feed

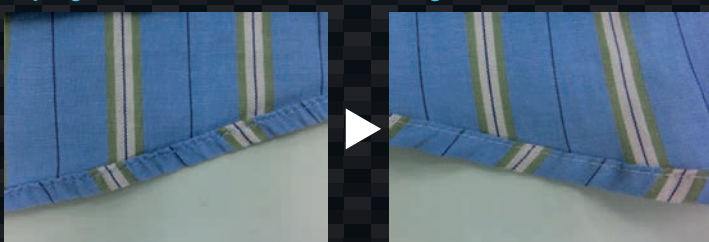
Puckering reduction on run stitch of light material



Conventional model

S-7300A

Roping reduction on bottom hemming



Conventional model

S-7300A

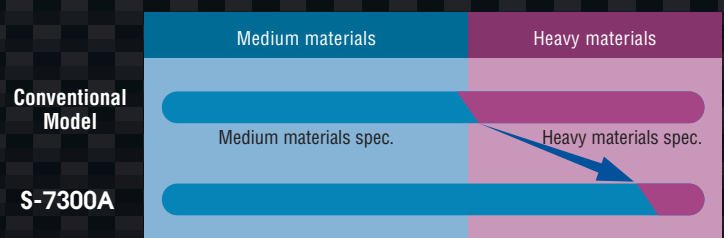
2 Needle Breakage Prevention Function Is Enhanced

The needle breakage prevention function which prevents the needle breakage when reverse stitching is carried out with the actuator switch (Patent acquired).

Furthermore, thanks to the DigiFlex Feed, the needle breakage while sewing is also prevented.

3 The new hook enhances sewing capability for a wide range materials

The new hook which is improved the thread cast off enables to expand sewing range for medium materials. It also enhances the sewing capability for heavy materials.

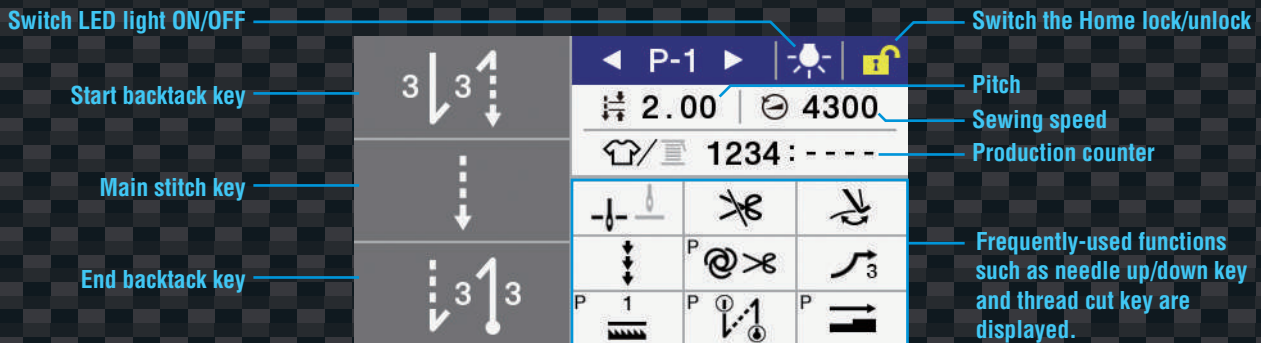


User-intuitive Color LCD with Touch Panel

Equipped the Color LCD with touch panel and indicates display items with illustration icons, offering user-intuitive operation.


For panel display, Easy mode Home(for operators) and Detailed mode Home(for mechanics) are available. Each mode is highlighting the necessary and useful functions according to the users so they can grasp the needed information at a glance. Switching those modes can be set on the panel.

Detailed mode Home




Easy mode Home



Feed Motion Change 
You can select the feed motion type from 4 kinds of motions.

Sewing Pattern Setting
Up to 9 sewing patterns can be easily set and stored with this function.

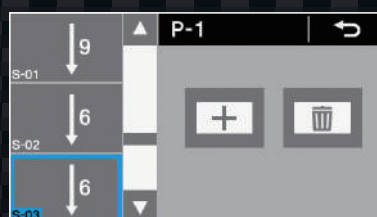
Protect Mode
The stitch length and sewing speed can be locked together.

Best Performance Mode 
(Minimizes the bird's nest and remaining short thread)
When the mode is set ON, it is effective for reduction of thread run out and remaining short thread.

Easy sewing pattern programming
Setting of sewing step such as pocket sewing is easy to set on the panel. Up to 20 steps can be stored.

Error Message Display
When an error occurs, the error message and solution are displayed on the panel.

Switchable Stitch length unit
The stitch length unit can be switched on the panel as followings.
0: mm
1: Stitch per inch
2: Stitch per 30mm



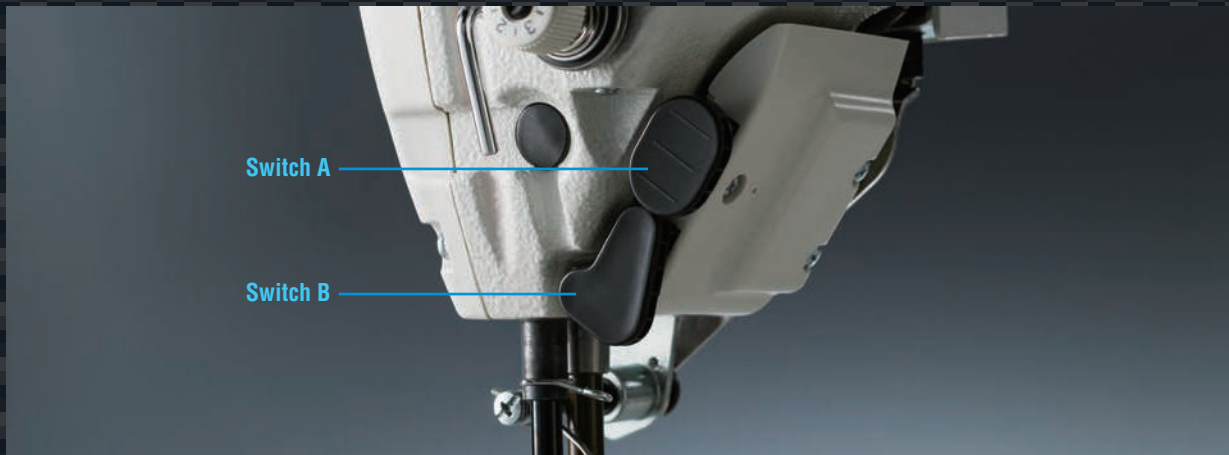
E095

Treadle unit or standing up operation pedal is pressed.
Return treadle unit or standing up operation pedal to original portion.
* Don't press treadle unit or standing up operation pedal when turn on power.

B

Useful functions are gathered in the hand switches

Useful functions are easily carried out with the 2 hand switches. You can assign the functions to each switch, so various useful functions are available with a combination of the switches. Assigning the functions are set on the panel.



The compensation stitch with a half-length stitch available for better corner sewing

You can use both Switch A and B each for compensation stitch and half pitch compensation stitch as sewing portion. When sewing the corner of jeans, for example, you can use half-pitch in order to align the stitch on the corner. S-7300A reduces operator's work load by changing the manual operation to be digitalized.



Production counter manual count up/down

When the Hand switch A is pressed, the production counter increases by 1 each time.

C

USB Port is Equipped

The USB port is equipped so sewing patterns and environmental settings can be copied easily to other sewing machines. Also, you can upgrade the software with USB memory.



Design Stitch for new value proposition

Thanks to the digitalized feeding system, you can change the stitch length on the same seam by program control. Now design stitch is available for even single needle lock stitch machine easily. (Design applied)



Specifications/

S-7300A-9■■■

with presser foot lifter,
with thread holder

Lubrication type

0 Minimum lubrication

3 Semi dry

Application

3 For medium-weight materials

5 For heavy-weight materials

S-7300A	-903	-905	-933
Lubrication type	Minimum lubrication	Minimum lubrication	Semi dry
Application	Medium materials	Heavy materials	Medium materials
Max. sewing speed	Stitch length 4mm and under: 5,000 sti/min Stitch length 4mm and above: 4,000 sti/min	Stitch length 4mm and under: 4,500 sti/min Stitch length 4mm and above: 4,000 sti/min	Stitch length 4mm and under: 5,000 sti/min Stitch length 4mm and above: 4,000 sti/min
Max. back tacking		3,000 sti/min	
Max. stitch length	5mm	Max. 7mm (default setting:5mm)	5mm
Presser foot height		Presser bar lifter: 6mm, knee lifter: 13mm	
Needle bar stroke	31mm	35mm	31mm
Needle (DBx1•DPx5)	#11-#18 (Nm75-110)	#19-#22 (Nm120-140)	#11-#18 (Nm75-110)
Height of feed dog	0.8mm	1.2mm	0.8mm
Weight		34.5kg	
Motor		AC servo motor	
Power supply		100V-110V(*1), 200-230V, 380-400V(*1) under 450VA	

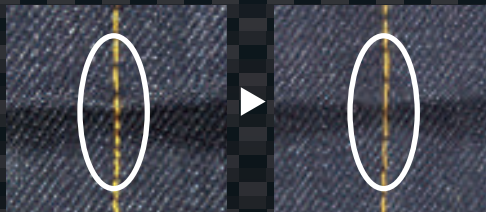
For superior quality and productivity improvement S-7300A Premier

-Reduction of Disposition of Thread Ends
(short remaining thread and bird's nest reduction)



Conventional model

S-7300A



Conventional model

S-7300A

-Reduction of Clogging at Cross-over Seam

**RoHS
Compliant**

S-7300A is compliant with the RoHS Directive (the restriction of the use of certain hazardous substances in electrical and electronic equipment) which came into effect in the EU in July 2006.



Brother has established voluntary environmental standards for products and created the "Brother Green Label". S-7300A is certified as an environment-conscious sewing machine according to the "Brother Green Label" standard.



Working with you for a better environment
www.brotherearth.com

Please read instruction manual before using the machine for safety operation.
-Product specifications are subject to change for improvement without notice.
-Photographs are for illustration purpose. They may not represent actual operating conditions and may display optional parts.

CHINA
ASIA
EUROPE AFRICA, MIDDLE EAST
AMERICA

BROTHER MACHINERY SHANGHAI LTD.
BROTHER MACHINERY (ASIA) LTD.
BROTHER INTERNATIONALE INDUSTRIEMASCHINEN GmbH
BROTHER INTERNATIONAL CORPORATION

http://www.brother.cn/
http://www.brother.com.hk/
http://www.brother-ism.com/
http://www.brother-usa.com/

+86-21-3135-3355
+852-2777-0010
+49-2822-6090
+1-908-704-1700

BROTHER INDUSTRIES, LTD.

1-5, Kitajizoyama, Noda-cho, Kariya-shi, Aichi 448-0803, Japan.
Phone: 81-566-95-0088 Fax: 81-566-25-3721 http://www.brother.com/

2016.5 16061114Z Vol.1

NEXIO